

# POS X

POINT OF SALE  
SIMPLIFIED

## EVO 2D

### Barcode Scanner

The versatile EVO 2D Scanner from POS-X delivers fast, highly accurate scans of traditional barcodes as well as the increasingly popular 2D codes. It can also scan digital displays including mobile devices, making it great for reading mobile coupons. Rapid, accurate scanning combined with an ergonomic design make the EVO 2D perfect for reading shipping details, recording inventory, or scanning IDs in restaurants, bars, and cafes. At a price point that is hard to beat, the EVO 2D is the clear choice for the future.



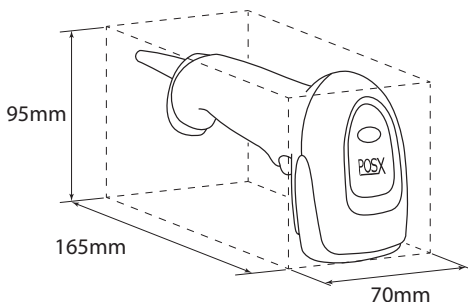
#### Key Features

- Reads 1D and 2D barcodes from any angle
- Autosense hands-free mode
- Great for scanning all environments including airplanes, trains, and banks
- Reading distance: 0.9"–14"
- Reads in total darkness
- 5-Year Warranty includes 2-Day Advance Exchange Service

barcode scanner

# EVO 2D Specifications

<b>PART NUMBER</b>	EVO-SG1-ADU
<b>PERFORMANCE</b>	
Light Source	White LED
Sight	Red LED, 617 nm
Visual Indicators	Green = decoding successful; Red = decoding failed
System Interface	USB
Typical Depth of Field	5 mm Code39: 33–95 mm (1.3–3.7") 13 mm UPC-A: 32–255 mm (1.3–10.0") 20 mm Code 39: 5–355 mm (1.4–14.0") 6.7 mm PDF417: 30–95 mm (1.2–3.7") 10 mm Data Matrix: 30–100 mm (1.2–3.9") 15 mm Data Matrix: 30–100 mm (1.2–3.9") 20 mm QR: 23–200 mm (0.9–7.9")
Resolution	0.8" (20 mm) max
Scanning Angle	Pitch $\pm 70^\circ$ Tilt $\pm 60^\circ$ Rotation $\pm 180^\circ$
Motion Tolerance	3.9inch/s (100mm/s)
Print Contrast	Minumum 35% contrast
Ambient Light Rejection	0–100,000 LUX
<b>FEATURES</b>	
Autosense Mode	Yes (stand not included)
Supported Symbologies	1D: Code 128, Code 39, Extended Code 39, Code 93, EAN 13, EAN 8, EAN Bookland, Industrial 2 of 5, Interleaved 2 of 5, Logmars, OPC, SCC-14, UCC/EAN Shipping, UPC Shipping Container Code, UPC-A, UPC-E
Programmable Features	Scan mode, prefix code, postfix code, code type, Supplements, Redundant scans, Transmission delay, keyboard Layout, Beep volume, Mobile Phone read mode, Data Editing
<b>PHYSICAL</b>	
Weight	0.26 lb (117 g)
Housing	ABS
Dimensions	(LxWxH) 6.5" (165mm)x 2.8" (70mm)x 3.7" (95 mm)
Color	Black/Grey
<b>ELECTRICAL</b>	4–5.5 VDC $\pm 0.25$ V (input)
<b>CURRENT</b>	400mA
<b>ENVIROMENTAL</b>	
Temperature	32°– 104°F (0°C to 40°C) (operating) -40°– 140°F (-40°C to 60°C) (storage)
Humidity	5% – 95% relative humidity, non-condensing
Shock Resistance	Withstands multiple drops from 3.3' (1 m)
<b>WARRANTY</b>	5-Year Includes 2-Day Advance Replacement Service
<b>CERTIFICATIONS</b>	SELV, CSA, CDRH, CE, IP40 Rating



<b>ACCESSORIES</b>	
EVO-SG1-ASTAND	EVO Scanner Stand