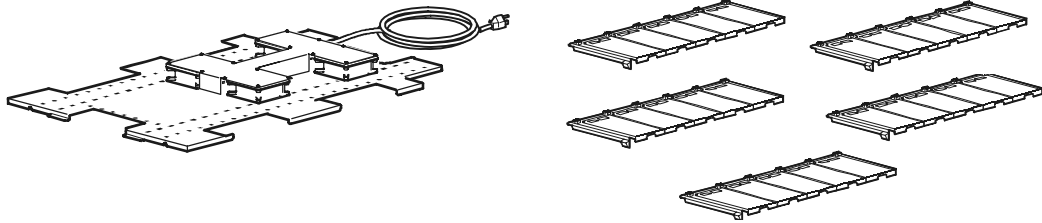
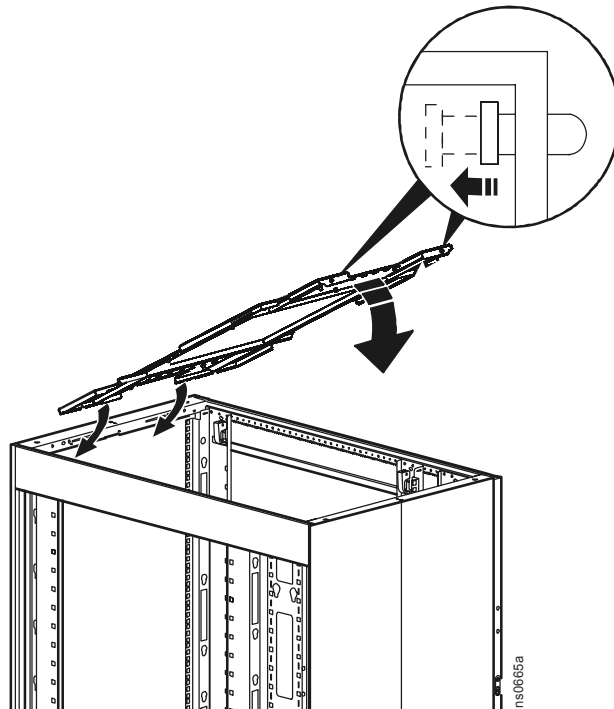


NetShelter[®] SX Roof Fan Tray Installation— ACF501, ACF502, ACF503, ACF504

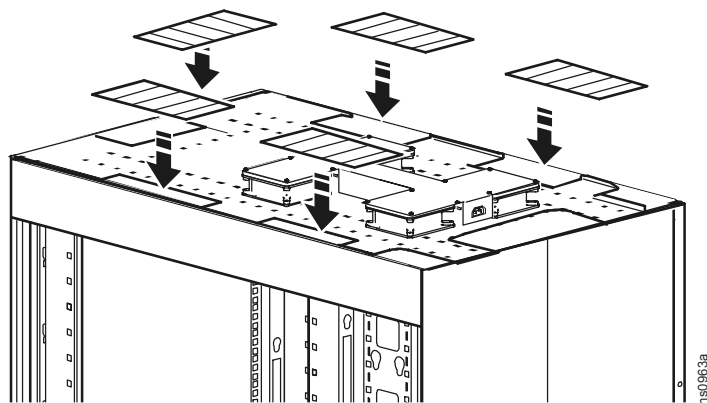


Warning: Install the Roof Fan Tray only on a circuit that has proper overcurrent protection.

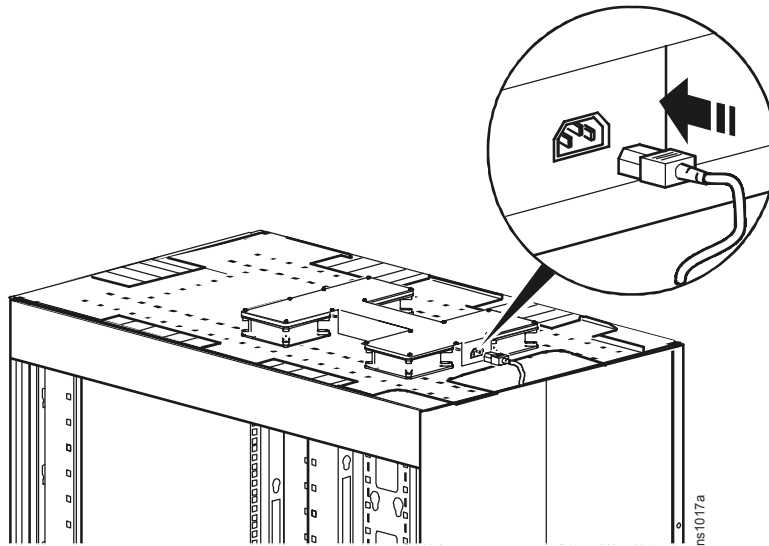
1



2



3



Note: Using one of the supplied power cords, connect the female end to one of the input sockets on the rear of the unit. Plug the male end into a UPS or other socket that provides protected power.

Cords may be bundled and tie-wrapped to provide clearance for other components.

Models

The American Power Conversion (APC®) NetShelter SX Roof Fan Tray is available in the following models:

APC Part Number	Description	Voltage
ACF501	600-mm Roof Fan Tray	120 VAC
ACF502	600-mm Roof Fan Tray	230 VAC, 208 VAC
ACF503	750-mm Wide Roof Fan Tray	120 VAC
ACF504	750-mm Wide Roof Fan Tray	230 VAC, 208 VAC



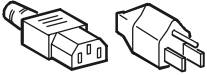

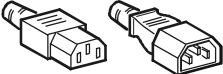

Note: The Roof Fan Tray is for use with APC NetShelter SX Enclosures only.

Electrical ratings

ACF501, ACF503					
Input Voltage	Frequency	Current	Noise	Airflow†	Operating Voltage Range
120 VAC	50 Hz	0.70 A	51 dBA	370 cfm	102–138 VAC
	60 Hz	0.85 A	51 dBA	440 cfm	102–138 VAC
ACF502, ACF504					
230 VAC	50 Hz	0.50 A	62 dBA	370 cfm	196–264 VAC
	60 Hz	0.40 A	62 dBA	440 cfm	196–264 VAC
208 VAC	50 Hz	0.40 A	62 dBA	370 cfm	196–264 VAC
	60 Hz	0.35 A	62 dBA	398 cfm	196–264 VAC

†Airflow given at nominal input voltage.

Roof Fan Tray power cords

APC Part Number	Quantity	Cord Description	Length ft (m)	Cord Connectors
ACF501, ACF503	1	IEC-320-C13 to NEMA 5-15P	10 (3)	
ACF502, ACF504	1	IEC-320-C13 to BS 1363	8.2 (2.5)	
	1	IEC-320-C13 to IEC-320-C14	8.2 (2.5)	
	1	IEC-320-C13 to CEE 7/7	8.2 (2.5)	

APC Worldwide Customer Support

Customer support for this or any other APC product is available at no charge in any of the following ways:

- Visit the APC Web site to access documents in the APC Knowledge Base and to submit customer support requests.
 - **www.apc.com** (Corporate Headquarters)
Connect to localized APC Web sites for specific countries, each of which provides customer support information.
 - **www.apc.com/support/**
Global support searching APC Knowledge Base and using e-support.
- Contact an APC Customer Support center by telephone or e-mail.
 - Regional centers

Direct InfraStruXure	(1)(877)537-0607
Customer Support Line	(toll free)
APC headquarters U.S., Canada	(1)(800)800-4272 (toll free)
Latin America	(1)(401)789-5735 (USA)
Europe, Middle East, Africa	(353)(91)702000 (Ireland)
Japan	(0) 3 5434-2021
Australia, New Zealand, South Pacific area	(61) (2) 9955 9366 (Australia)

- Local, country-specific centers: go to **www.apc.com/support/contact** for contact information.

Contact the APC representative or other distributor from whom you purchased your APC product for information on how to obtain local customer support.

Entire contents © 2006 American Power Conversion. All rights reserved.
Reproduction in whole or in part without permission is prohibited. APC, the APC logo, NetShelter, and InfraStruXure are trademarks of American Power Conversion Corporation and may be registered in some jurisdictions. All other trademarks, product names, and corporate names are the property of their respective owners and are used for informational purposes only.

