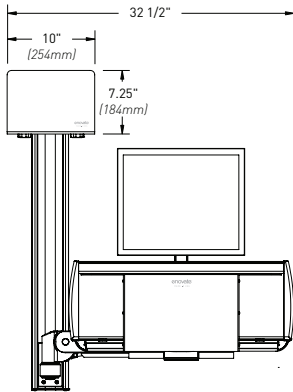
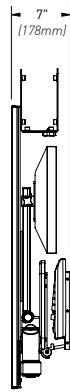


# Enovate 997 with eDesk

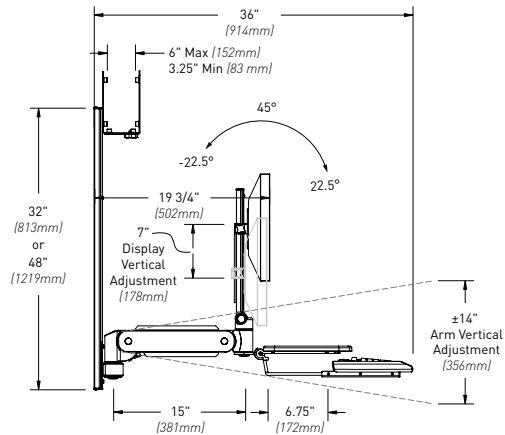
Articulating Wall Arm



Front View - Stored

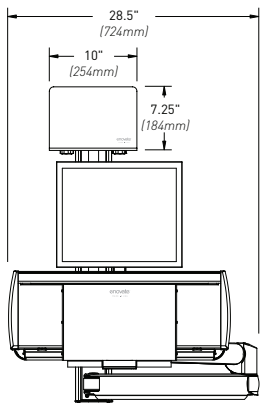


Side View - Stored

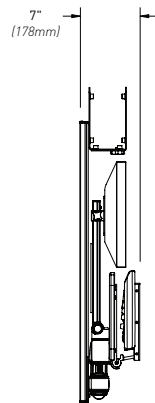


Side View - Extended

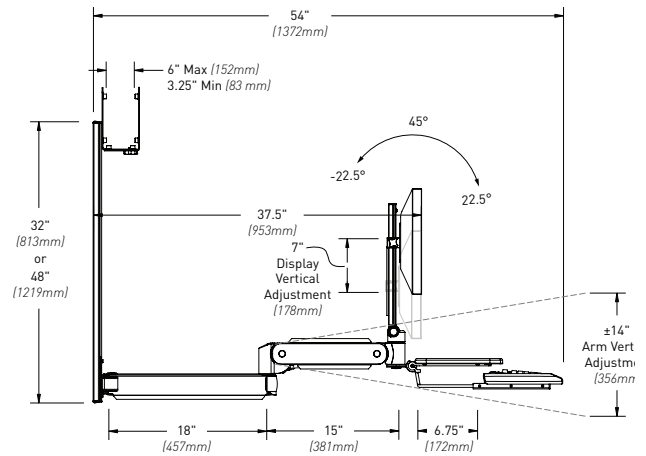
## With Extension



Front View - Stored



Side View - Stored



Side View - Extended

## Features

- Made in USA
- Articulating arm
- Antimicrobial surfaces
- 32" or 48" Wall Track
- Integrated cable management system
- Ergonomic wrist rest

- Standard VESA: 75mm/100mm
- Vertical Height Adjustment: ±14"
- Keyboard Tray Dim. 9" x 24" (229 mm x 610 mm)

## Available Accessories & Services

- Keyboard
- Mouse
- Wall Tracks
- Extension Arm
- Assorted Brackets
  - » Scanner
  - » Mouse
  - » CPU
  - » Custom Plastic Brackets
- Installation
- Integration

## Articulating Arm Specifications

- Display Weight Capacity: 20 lbs (9kg)
- Display Pivot Range: 180°
- Display Tilt Range: 45°
- Display Height Adjustment: 7" (178mm)
- Display Arm Articulation: 360°
- Keyboard Weight Capacity: 5 lbs (2.3 kg)
- Keyboard Pivot Range: 180°
- Articulation from Wall: 36" (914mm)
  - » w/ Extension Arm: 54" (1372mm)



## Warranty

This product is subject to a five (5) years on all structural components. Please ask your local sales representative for details. The manufacturer and/or distributor will bear no responsibility for any injuries and damages during or after installation an Enovate product by a non-certified Enovate installation technician.

enovate™