

# LT9000 TABLE-TOP DISPLAY SPECIFICATIONS

## OPTICAL ( FLUORESCENT DISPLAY )

Number of rows	2
Digits per row	20
Digit Configuration	5x7 Dot Matrix
Digit Height	0.37 in. (9.5mm)
Digit Width	0.24 in. (6.2mm)
Digit Pitch	0.30 in. (7.7mm)
Character Config.	ASCII
Brightness	900 cd/m2 Typical
Display Color	Blue-green
MTBF	300,000 hours

## ELECTRICAL

Power Adapter	
Input Power	120VAC, 60 HZ
Optional	220VAC, 50 HZ
Output Power	7.5VAC, 1A

## CABLING

Interface Cable	
Computer side	DB9 female standard DB25 female optional
Display side	DB9 male

## ENVIRONMENTAL

Operating Temperature	0 to +50 °C
Storage Temperature	-20 to +70 °C
Relative Humidity	
Operating	85% max. non-condensing
Non-operating	90% max. non-condensing
Vibration (10 to 55 Hz.)	4G's
Shock	40G's

## INTERFACE

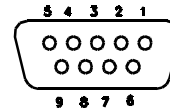
Serial	RS232C
Protocol	
Baud Rate	600, 1200, 2400, 4800, 9600*, 19,200
Data Bits	8
Parity	NONE
Stop Bits	1

\* Default preset at factory

## MECHANICAL

Weight	1.20 lbs.
with adapter	1.85 lbs.
Dimensions ( in inches )	
Width	8.90
Depth	4.12
Height	4.10

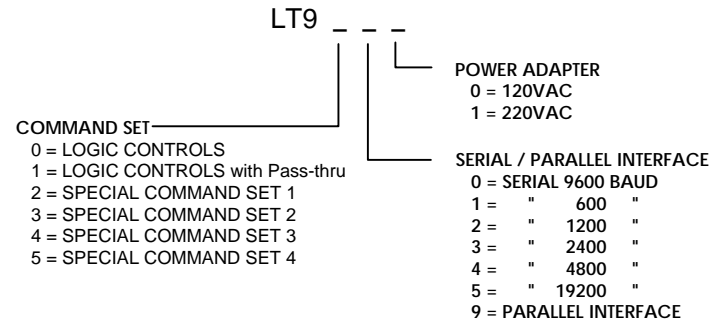
## CONNECTOR PINOUT



### DB9 F

1	Tied to pins 4 and 6
2	No connection
3	Data
4	Tied to pins 1 and 6
5	Ground
6	Tied to pins 1 and 4
7	Tied to pin 8
8	Tied to pin 7
9	No connection

## ORDERING INFORMATION



## GENERAL INFORMATION

- 1) Power adapter and 6 foot cable (with DB9M and DB9F connectors) supplied.
- 2) Call for list of available emulations.
- 3) All control lines are terminated in the DB9 connector. For details see "Connector Pinout" section above.