

POS Mounting Solutions

Transaction Terminal Stands



Hand Held



Fixed Height



2" Height



MMF POS Takes the Stand

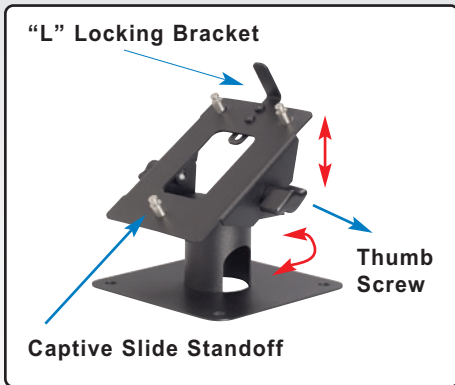
The robust Transaction Stand designs offered by MMF POS deliver high-quality & resistance to tampering at a competitive price. PCI compliance requires retailers to provide customers secured payment transactions. Retailers now have a reliable and affordable source for protecting and mounting these terminals at their POS station.



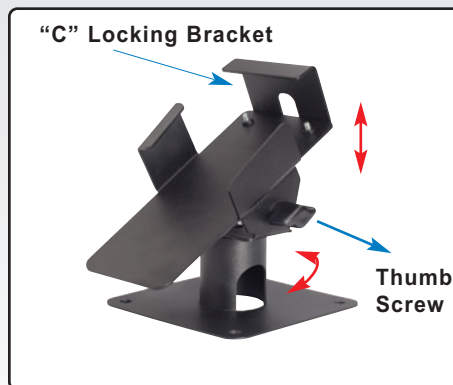
Contact us at www.mmfpos.com
Your POS/OEM global solution

Transaction Terminal Stands

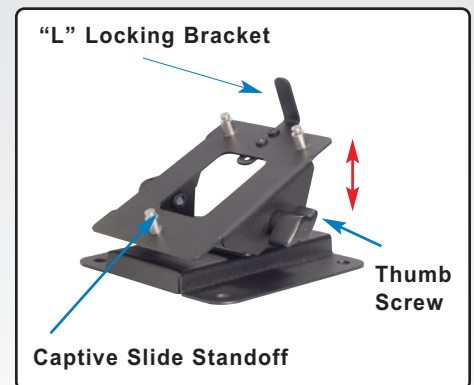
Transaction Terminal Stands	P/N: 225-7580-04	P/N: 225-7581-04	P/N: 225-7582-04	P/N: 225-7583-04	P/N: 225-7584-04
Transaction Terminal Models Supported	Hypercom® L4100, L4150, L4200	Hypercom® L4100, L4150, L4200	Ingenico® i6550, i6780	Ingenico® i6550, i6780	Ingenico® i3070 Handheld
	Verifone® MX800 Family	Verifone® MX800 Family			
Height	2" Height	Fixed Counter Height	2" Height	Fixed Counter Height	2" Height
Construction	Steel	Steel	Steel	Steel	Steel
Finish	Textured Power Coat	Textured Power Coat	Textured Power Coat	Textured Power Coat	Textured Power Coat
Color	Black	Black	Black	Black	Black
Tilt	45 Degrees	45 Degrees	45 Degrees	45 Degrees	45 Degrees
Swivel	180 Degrees	180 Degrees	180 Degrees	180 Degrees	180 Degrees
Pole Diameter	2"	N/A	2"	N/A	2"
Locking bracket	Yes	Yes	Yes	Yes	Yes
Weight (lbs)	1.4 lbs	1.4 lbs	1.4 lbs	1.4 lbs	1.4 lbs
Shipping Box Dimension (WxDxH)	5.25 x 5.25 x 7.5 in	5.25 x 5.25 x 7.5 in	5.25 x 5.25 x 7.5 in	5.25 x 5.25 x 7.5 in	5.25 x 5.25 x 7.5 in
Shipping Wt (lbs/kg)	1.7 lbs / .77 kg	1.7 lbs / .77 kg	1.7 lbs / .77 kg	1.7 lbs / .77 kg	1.7 lbs / .77 kg



2" Height



Hand Held



Fixed Height

Visit www.mmfpos.com for complete list of options or to submit a request for a custom design



www.mmfpos.com



ISO-9001-2000 Certification

1111 Wheeling Road / Wheeling, IL 60090 / 800-769-1954

MMF POS™ and MMF POS logo are trademarks of MMF.

POS-TTSRev1